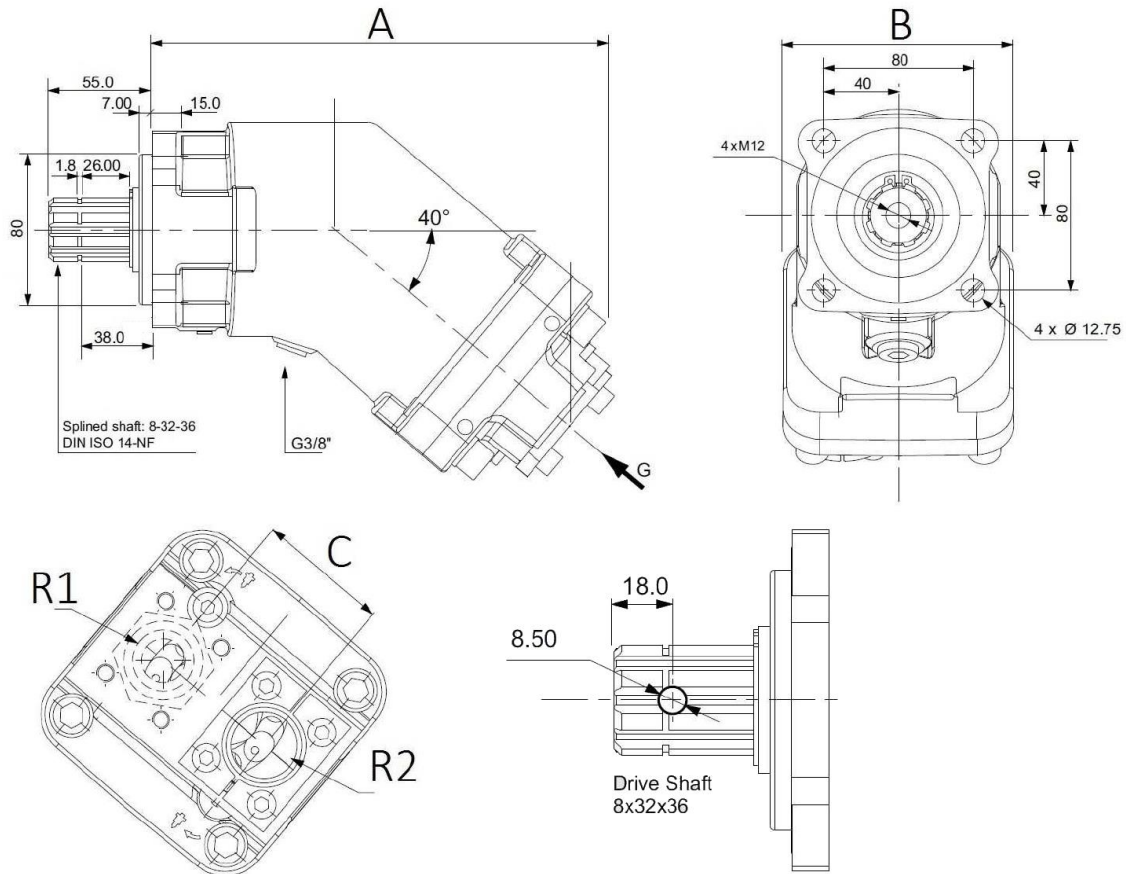


## DATASHEET – DIMENSIONS



	40 cc	63 cc	80 cc	108 cc	130 cc
Max. constant pressure (bar)	380				
Max. pressure (bar)	420				
Max. Const. revolutions (rpm)	2550	2300	2150	1900	1750
Direction of rotation	Left and right				
A	202,8	214,4	241,7		244
B	108		122		
C	54		60		
R1	3/4"		1"		
R2	3/4"		1"		